



ECKMAN
GARDEN • DIY • OUTDOORS

MODEL RM001

Owner's Manual

24V Rechargeable Cylinder Mower



READ AND SAVE THESE INSTRUCTIONS

ANY QUESTIONS OR PROBLEMS?

Call the Eckman Helpline on: 0871 590 5917 or go to www.eckman.co.uk

Table of Contents

Before Use	2
Warning	2-3
Use of Product	3
Parts List	4
Assembly	5-6
Battery Charging and Recharging	7-8
Operation	8-10
Cutting Height Adjustment.....	8-9
Starting and Stopping.....	10
Reset Button.....	10
Mowing.....	10
Mowing Using Grass Catcher.....	10
Maintenance	11
Storage	11
Technical Data and Features	11
Electric Schematic Diagram	12
Limited Warranty	13
Frequently Asked Questions	13

BEFORE USING THE NEW ELECTRIC RECHARGEABLE CYLINDER MOWER

Please read this guide and use these operating instructions to become familiar with the mower and its features. The charging of batteries, operation of the mower, and notes on safety and maintenance procedures are important for the safe use and enjoyment of this product.

WARNING

When using an electrical appliance, basic safety precautions should be observed, including the following, to reduce the risk of the fire, electrical shock or injury:

1. Read the instructions carefully. Be familiar with the controls and the proper use of the appliance.
2. This item is not a toy.
3. Never allow children or people unfamiliar with these instructions to use the appliance.
Local regulations may restrict the age of the operator.
4. Never mow while people, especially children, or pets are nearby.
5. The operator or user is responsible for accidents or hazards occurring to other people at their property.
6. Mow only in daylight or in good artificial light.
7. Avoid operating the appliance in wet grass, where feasible.
8. Walk, never run when operating.
9. Do not operate the mower when barefoot or wearing open sandals.
10. Thoroughly inspect the area where the mower is to be used, and move any object which may jam or be thrown by the machine.
11. Always be sure of your footing on slopes, do NOT mow excessively steep slopes.
12. Mow across the face of slopes, never up and down.
13. Exercise extreme caution when changing direction on slopes.
14. Use extreme caution when reversing or pulling the appliance towards you.
15. Do not put hands or feet near rotating parts. Keep clear of the discharge opening at all times.
16. Never pick up or carry the appliance while the motor is running.
17. Stop the blade if the appliance has to be tilted for transportation when crossing surfaces other than grass, and when transporting the appliance to and from the area to be mowed.
18. Never operate the appliance with defective guards, or without safety devices, for example deflectors and/or grass catchers in place.
19. Switch on the motor according to instruction and with feet well away from the blade.
20. Keep the mower on a flat, even surface when switching on.
21. Keep all nuts, bolts and screws tight to be sure the equipment is in safe working condition.
22. Replace worn or damaged parts for safety.
23. Be careful when adjusting height, ensure that the battery is removed and keep fingers away from all moving parts.
24. Do not handle charger or mower with wet hands.
25. Use only as described in this manual.

26. DO NOT attempt to use the charger with any other product nor attempt to charge this product with another charger
27. DO NOT abuse the charger cord; never carry the charger by the cord or pull cord to disconnect from an outlet, grasp the plug and pull to disconnect.
28. Keep charger cord away from hot surfaces.
29. This product includes lead acid (Pb) batteries; do not incinerate batteries or expose to high temperatures, as they may explode.
30. Leaks from battery cells can occur under extreme conditions. If the liquid gets on the skin wash immediately with soap and water. If the liquid gets into the eyes, flush then immediately with clean water for a minimum of 10 minutes and seek medical attention.
31. Keep hair, clothing, fingers and all parts of body clear of moving parts.
32. Dress properly! Do not wear loose clothing or jewellery which can be caught by moving parts. Use of non-slip footwear is recommended.
33. Do not attempt to repair any damaged parts on this product unless you are qualified to do so.

USE OF THIS PRODUCT



WARNING

For safety reasons persons of less than 16 years of age or persons not familiar with these operating instructions must not use the electric rechargeable mower.

This mower is designed for use on residential lawns. It is not designed for commercial use or for use in public facilities, parks, sporting grounds, roads, or in agriculture or forestry areas.

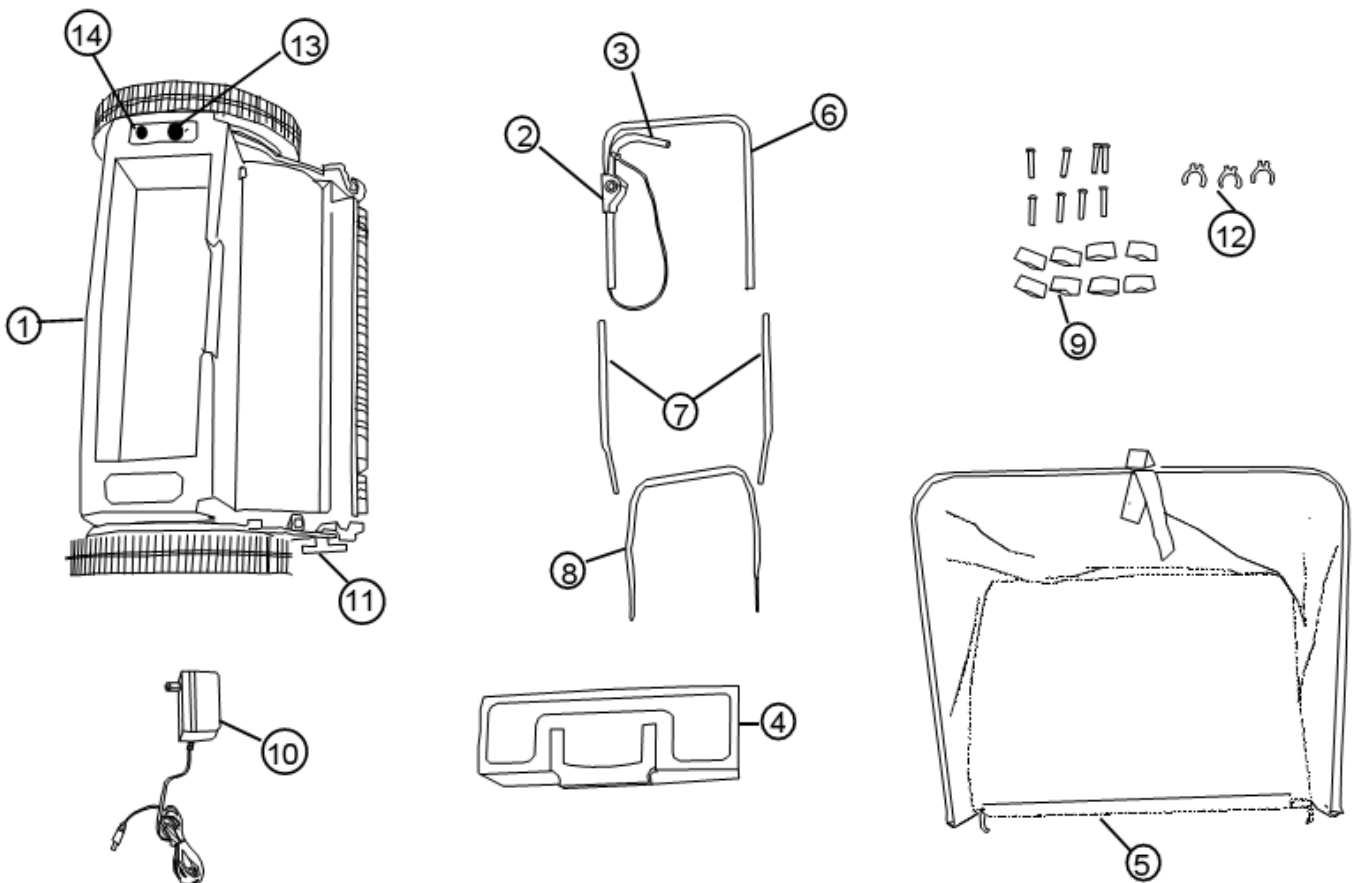
This mower is for cutting lawns only. It must not be used to trim hedges, bushes or shrubs, for cutting or pruning, or for any mowing where both wheels and the roller are not fully supporting the mower.

Damage to blades or other parts of the machine caused by stones or other debris being “mown” up will not be covered under this warranty !

PARTS LIST

Please check when unpacking the unit to be sure that all items listed below are included:

1. Main Unit
2. Safety Switch
3. Level Switch
4. Battery Pack
5. Grass Catcher
6. Upper Handle
7. Middle Handle X 2
8. Lower Handle
9. Nuts and Bolts x 8
10. Charging Adaptor
11. Height Adjustment Knob
12. Cable Clips X 3
13. On/Off Switch
14. Reset Button



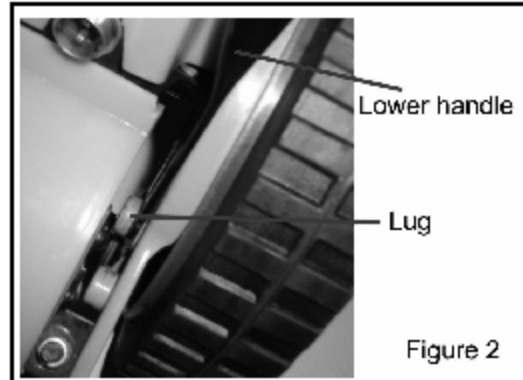
ASSEMBLY

Unpack and remove the whole unit from packaging, and ensure all the parts are present. (See Figure 1)
Should any parts be missing or damaged please contact the Eckman technical helpline on 0871 590 5917.

1. Set the cutting height to the highest setting.

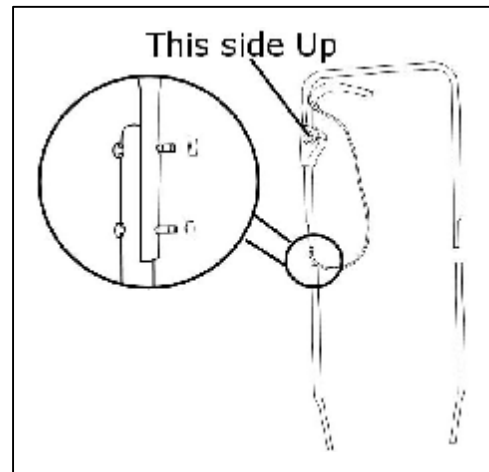
This will make it easier to attach the lower Handle section.

It is easiest to fit the handle when the mower is flat on the ground and the handle is a perpendicular position.

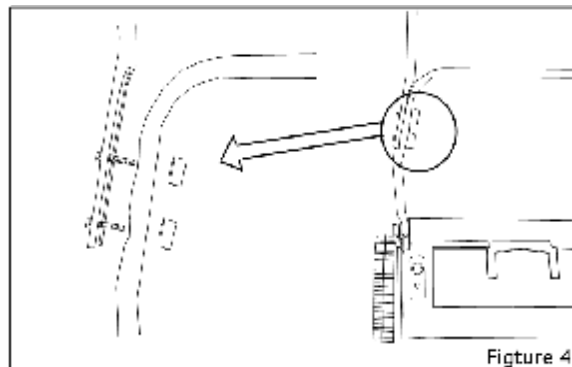


2. Fit the Lower handle onto the two large lugs on the Main Unit. Fit one side and then flex the other side of the handle until it fits the opposite lug. (See Figure 2).

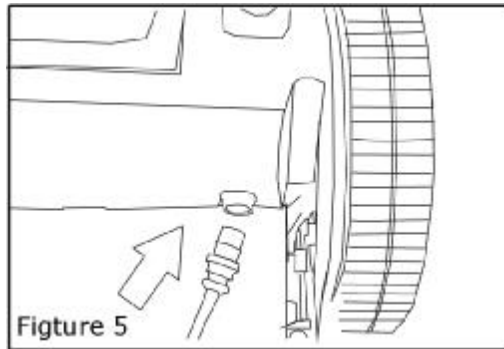
3. Assemble the Upper Handle to the Middle Handle. Use 2 sets of the nuts and bolts to secure in place. Make sure that the Upper Handle is facing up (safety button facing up) (See Figure 3)
If you have incorrectly assembled this part, Disconnect and re-assemble in the correct orientation.



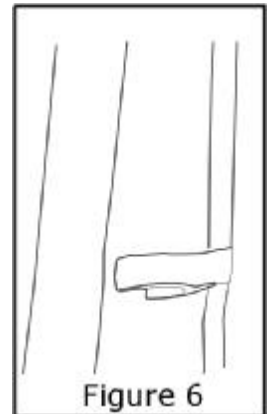
4. Use 2 sets of the nuts and bolts to assemble the Upper and Middle Handle assembly to the Lower Handle. The nuts should be positioned on the inside of the handle and the bolts on the outside. (See Figure 4)



5. Once the Handle is assembled connect the plug on the handle cable to the socket on the main unit.
Tighten the screw ring to secure the cable. (See Figure 5)



6. Secure the cable to the handle using the 3 cable clips. (See Figure 6)



7. Attaching the Grass Catcher to the Mower Base

Note: This mower can be used with or without the grass catcher.

Step 1: Place the 2 Grass Catcher side bars onto both sides of the Grass Catcher Hooks as shown in Figure 7.

Step 2: Wrap the Security Belt, located on the back of the grass catcher, around the centre joint of the Lower handles and lock buckle into place, as shown in Figure 8. Note the length of the Security Belt can be adjusted by modifying the loop length. (Figure 8)

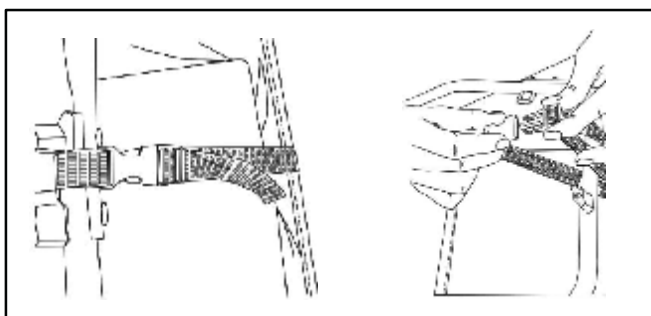
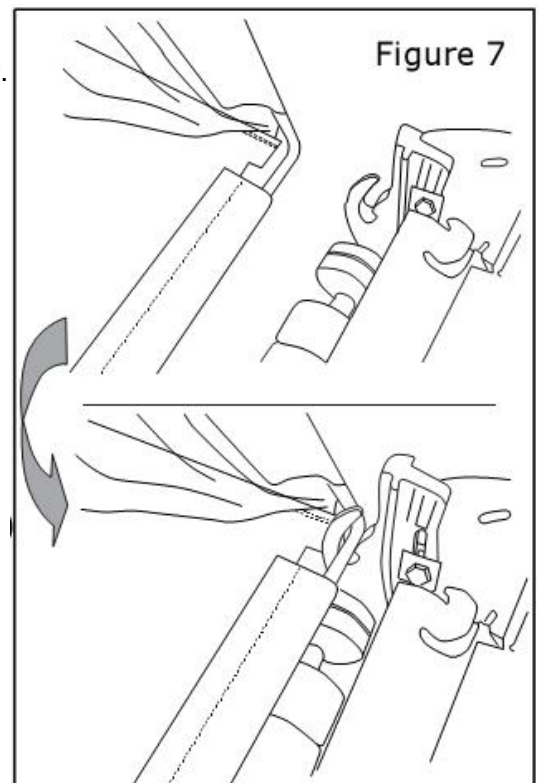
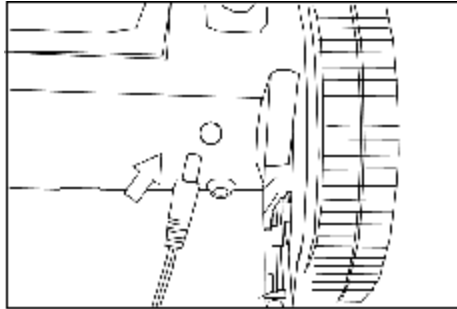


Figure 8

BATTERY CHARGING AND RECHARGING

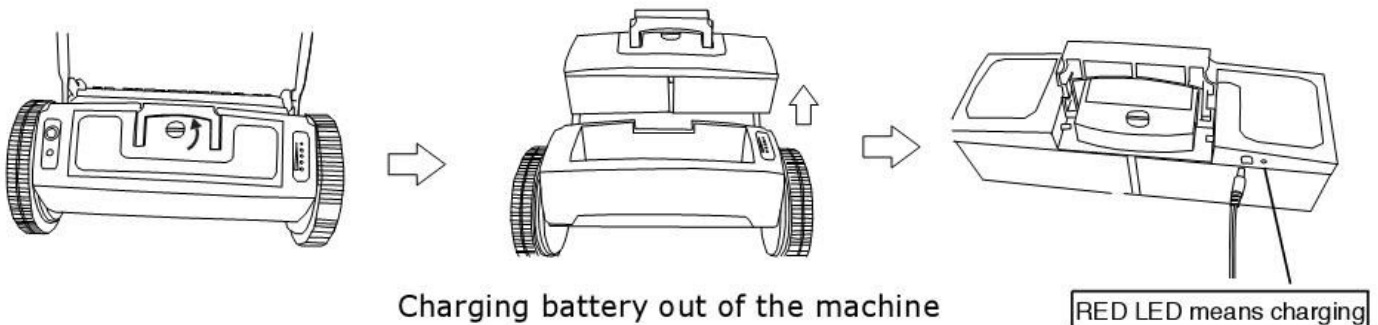
Before first use charge the battery for 24 hours.

The battery does not have to be removed from the mower to be charged. To charge the battery in the mower, plug the charger into the battery socket.

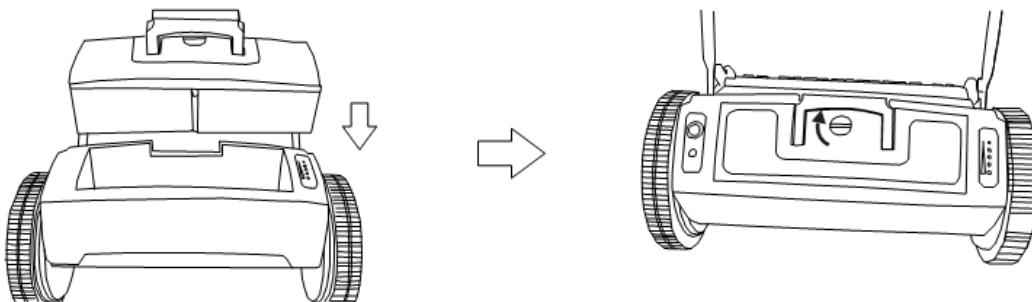


*Charging the battery
in the product*

Charging battery out of mower: first turn the knob on the battery lid anti-clockwise then raise the handle and lift battery out of the mower. Place the battery on a flat, non-slip surface, and plug the charger connector into the battery socket. **Charge the battery for 24 hours each time. RED LED light indicates that battery is charging, but will NOT turn off once battery is fully charged.**



Charging battery in mower: Lower it into the cavity on the top of the mower in the correct orientation. Ensure the handle is pressed down and then turn the knob on the lid clockwise. If the battery does not fit correctly, remove it and check there are no obstructions. Please make sure that the machine is **SWITCHED OFF** when recharging battery; **As a safety feature the battery will NOT recharge if the machine is switched on;** The RED LED light on the main unit indicates that the battery is charging also, but will NOT turn off once battery is fully charged.



CHARGING INSTRUCTIONS: there are 5 LED on the main unit, the first three LEDs show the power capacity of the mower during operation. When the first 3 LEDs turn off and the fourth LED becomes fainter, you are being reminded that the mower needs to be charged. The last LED is the charging indicator, See below for explanation:



Color	Explanation
● Green	High Power
● Green	Middle Power
● Green	Lower Power
● Green	Charging Reminder
● Red	Charging Indicator

NOTES: To keep the battery in prime condition it is best to charge the battery after each use, and every 3 months if stored. After each use charge for 24 hours to ensure the battery is fully charged. The battery will not be damaged if it is charged for longer than 24 hours, but it is advisable not to leave it on for more than 48 hours, since this might shorten the battery life.

IMPORTANT: Charge the battery after each use. Never store the Mower with a FLAT battery.



Only use the charger supplied with this product. Do not attempt to charge this product with any other charger nor attempt to charge any product with this charger, as it can cause damage and will invalidate your guarantee.

**Should you wish to purchase an additional battery for your Eckman
Mower, please call
0871 590 5914
quoting 'T2SHOP' and ask for stock code RM001BATT.**

OPERATION

1. Cutting Height Adjustment

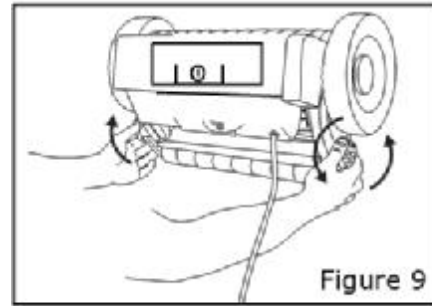


CAUTION: For safety ensure that the Battery is removed from the Mower before adjusting the cutting height.

The cutting height of the Mower may be adjusted from approximately 1" (2.5cm) up to approximately 2" (5cm). Actual height may vary according to the height of the grass. Adjust the mower to the desired height as follows:

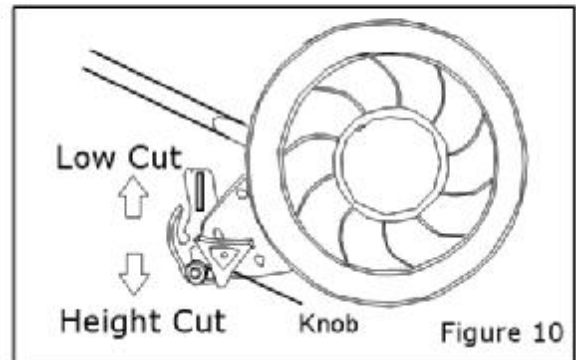
(1) Ensure that the roller is fitted flat, it is recommended that the height is adjusted on a level surface. It is also recommended that the grass catcher be removed as this will allow easier access to the adjustment knobs.

(2) Loosen the two large gray knobs, one on each side of the mower body, to allow movement of the roller arms. (See Figure 9)



(3) Slide the roller supports until the roller is at the required position, ensuring that it is level and the knobs are at the same height.

(4) Tighten the knobs on both side ensuring they are at the same height and properly secured. (See Figure 10)



2. Blade Adjustment

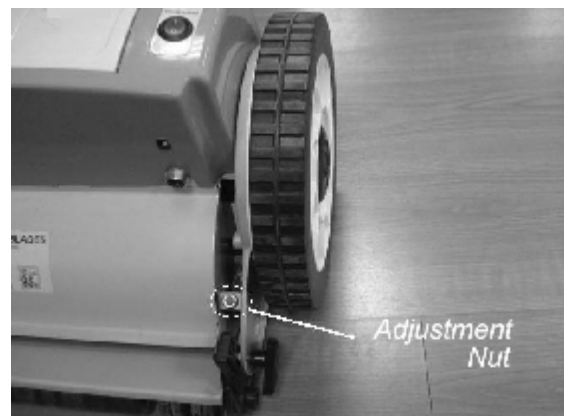


WARNING: Blades are extremely sharp, to avoid injury be careful not to touch blades when make adjustments.

Blades have been pre-adjusted prior to leaving factory, Misalignment can sometimes occur; this **can be** caused by blades being too loose or too tight against the cutting bar. This can cause an uneven cut or make the mower hard to push.

To correct misalignment, adjustments to the cutting bar are needed.

Each end of the cutting bar can be adjusted separately.



Turn the two adjustment nuts clockwise to tighten; this moves the cutting bar closer in toward the blade. Turn the two adjustment nuts anti-clockwise to loosen and move the cutting bar farther away from the blade.

NOTE: Adjusting the nuts while making blade adjustments is a very sensitive procedure. A turn of 1/16 "is considered a major adjustment. Before tightening one adjustment nut, make sure to adjust the opposite nut an equal amount.



Do not over-tighten adjustment nut, as this could damage cutting bar.

3. Starting and Stopping



WARNING

Before starting the mower, check within the blade area for any foreign objects and remove them.

Do not operate the mower on areas other than turf surfaces. The mower should be sitting on its wheels on a level part of lawn before starting operation.

- (1) To start and operate the mower, first turn on the red on/off switch (13) on the main unit, then press the safety button (2) with one hand and pull the starting lever (3) back toward the handle grip with the other hand.
- (2) To stop the mower, just release the lever (3), the motor will switch off, then turn off the on/off switch (13) on the main unit.
- (3) The mower may be restarted at any time with the same procedure.

4. Reset Button (to be used if and when you overload the motor)

The reset button (14) on the main body of the machine is to prevent any damage occurring to the battery or the motor due to a current overload, such as from the blade jamming.

To restart the mower wait for a few seconds then press the reset button so that it is level with the mower casing.

If you use the Reset button (14) then following actions are recommended:

- (1) Make a first cut with a high cutting height then make a second cut with a lower cutting height. (See cutting height adjustment section on previous page)
- (2) Push the Mower more slowly.
- (3) Check the blade is correctly adjusted so the grass is cutting cleanly.

5. Mowing

To obtain a clean cut, push the mower in straight lines (passes) at a deliberate walking pace. Overlap the passes to even the cut and to avoid any uncut strips,

If you hear the motor in the mower change pitch dramatically while mowing, it may be overloaded.

Check to see if the grass is very thick or long, a first cut with height set higher will help reduce the load on the motor. (See Cutting Height Adjustment section) .

Push the mower more slowly when cutting thick grass.

6. Mowing Using the Grass Catcher (supplied accessory)

The grass catcher collects the clippings as it mows. It attaches at the grass catcher hooks on the mower and by the strap to the mower handle. Mow using the same procedure as for normal mowing (above).

MAINTENANCE



CAUTION: Remove the battery before carrying out any maintenance.
This will prevent you accidentally turning on the unit whilst cleaning it.

Check for any faults such as loose or damaged blades, loose fittings, and worn or damaged components. If necessary carry out any repairs before using the mower again.

Check that covers and guards are correctly fitted, and are not damaged in any way

Clean the Mower using a soft brush or cloth. Do not use abrasive material to clean the product or immerse it in water.

Don't pick up liquids or use on wet ground.

Don't use on concrete, tar macadam or other rough surfaces.

Don't pick up pieces of string, stones or fabrics with the unit.

Be aware of raised areas such as paving stones or manhole covers that can damage the blades.

STORAGE

Before storing, remove the battery. Turn the machine on its side and clean the blade area. If grass cuttings are compacted in the blade area, remove with a wooden or plastic implement. Remove all grass and debris, Clean the exterior of the machine thoroughly using a soft brush or cloth. Do not use water, solvents or polish.

Store the Mower in a dry place and oil the blades.

Do not place other objects on top of the machine.

Always charge the battery after use, and every 3 months if stored for a long period of time.

For Storage in confined spaces the handles can be removed from the Mower.

Disconnect the power cord and flex the lower handles to remove from the frame locating lugs.

TECHNICAL DATA AND FEATURES

Rechargeable Lead-Acid Battery, 24V, 5AH

Cutting Path: 16"

No Load Speed: 1000RPM

Cutting Capacity:

6000sq.feet per hour / 600m² per hour

5 Cutting Blades

Adjustable Cutting Height 13/16" - 2-3/16"

Wheel Size 10"(250mm)

Chare Time: 24 hours

Working Time: 40 minutes after full charge

Low Noise Operation

Safety Switch

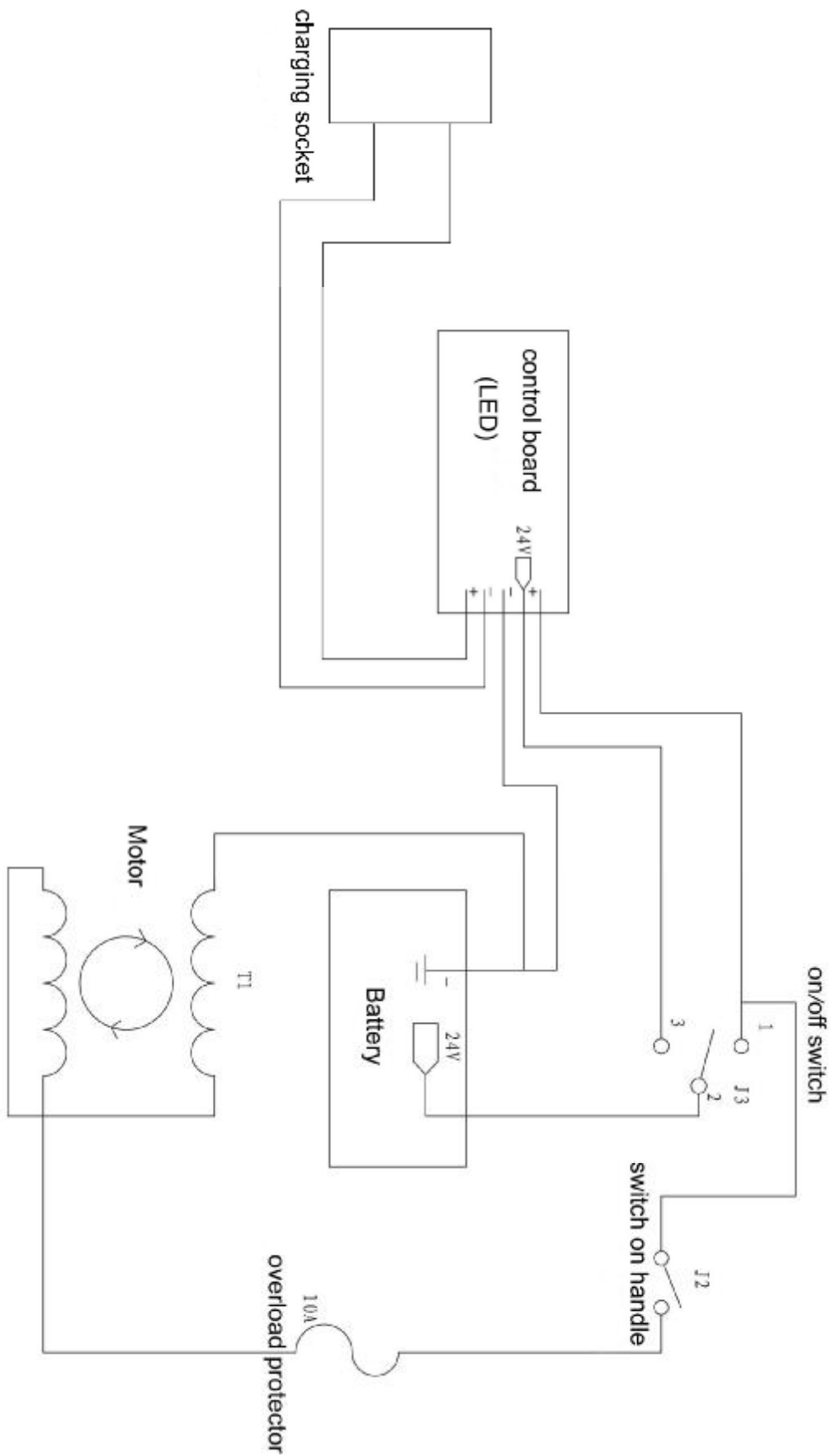
Grass Catcher (25 litre capacity)

Features Battery Display, Automatic Power

Off for Lower Battery

Weight: 15.5kgs with battery

ELECTRIC SCHEMATIC DIAGRAM



LIMITED WARRANTY

The 16" Cordless Cylinder Mower carries a 1-year warranty from the date of purchase against defective parts and workmanship. Warranty does not cover damage due to mishandling, commercial use or abuse. Proof of purchase is required. This does not affect your statutory rights.

FREQUENTLY ASKED QUESTIONS

Q What's the difference in the cut between a rotary mower versus a cylinder mower?

Cylinder mowers shear the grass like scissors and deliver a more precise cut, unlike a rotary blade which tears the grass, A sheared cut yields a greener and healthier lawn, The scissor (cylinder mower) cut heal quickly and causes minimal disturbance to the natural growth pattern. The grass is cut in place, reducing the vertical height, but leaving the grass with blades of varied length for maximum sun exposure. There's a good reason why cylinder mowers are the choice of golf courses.

Q How much dose the Eckman cylinder mower weigh?

Just **34 lbs/ 15.5kgs** with battery... so it's easier to mow at home, and it's easy to take to your weekend getaway or down to your allotment.

Q What is the advantage of the battery-powered cylinder mower versus regular push-mowers?

Cylinder mowers use to be heavy and clunky and required a lot of effort to push. The Eckman cylinder cordless mower takes a fraction of the effort. Powered by a 24-volt battery, it mows up to 4000sq.ft. (around 40 minutes of mowing time) on a full charge.

Q What is the advantage of the Grass Catcher?

The Grass Catcher saves you having to rake the grass cuttings... and makes it easy to recycle clippings into the compost bin.

Q How long must I charge the battery?

When you first receive your mower, charge the battery for a full 24 hours using the supplied battery charger. Afterwards, charge the battery for a full 24 hours every time.

Q How often should I charge the battery?

We recommend charging the battery immediately after using your mower.

Q How do I clean my Eckman cylinder Mower?

Clean the mower with a moist cloth. Spray the cutting cylinder and lower blade with a low viscosity oil, such as a spray oil. Brush away any build-up of grass or leaves on the blades.

Q I have a question / problem with my mower. What shall I do?

Please call our technical helpline where an experienced member of the team will be standing by to help you. The number is at the bottom of the page.